



Sliding Shutters

Use sliding shutters to create flexible protection from the elements, privacy or aesthetics. Available with several design, finishing and hardware options.

Shutter Infill Options



Fixed louvre blades

Use a selected louvre blade fixed inside an aluminium frame. Refer to fixed louvre blades to see shapes, sizes and spans available. Blades can be fixed on various angles and spacings. Timber louvres are also available. Contact Auraa to determine the frame size.



Operable louvre blades

Use a selected louvre blade that is manually operable inside an aluminium frame. Refer to operable louvre blades to see the range of louvre shapes and sizes available. Contact Auraa to determine the frame size.

Note, spacing between the shutters may mean they cannot slide past each other with the louvre blades in the open position.



Swaged grating

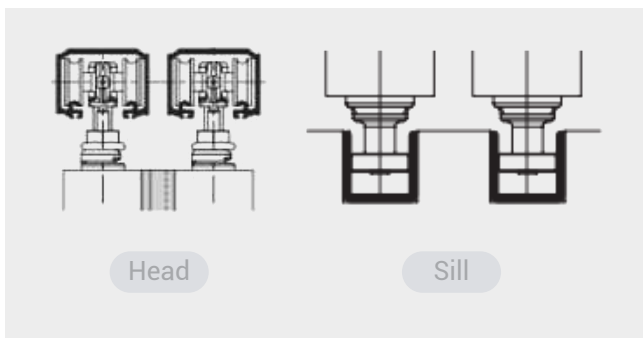
Aluminium swaged grating with excellent span capability while maintaining a slim profile. Available with several louvre sizes, refer to aluminium grating for details.



Perforated sheet

Standard or custom patterns available. Refer to perforated screens for standard patterns available.

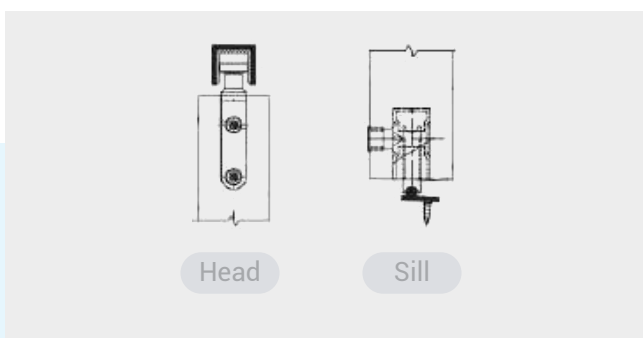
Hardware



Top Hung

Hangers mounted to the top of the shutter frame, with guide rollers at the base.

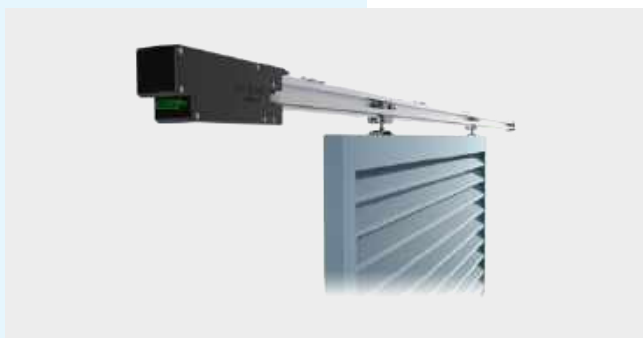
- Maximum weight: 120Kg
- Maximum panel height: 3000mm



Bottom Rolling

Bottom rollers rebated into the base of the shutter frame, with guide roller at the top.

- Maximum weight: 170Kg
- Maximum panel height: 3000mm

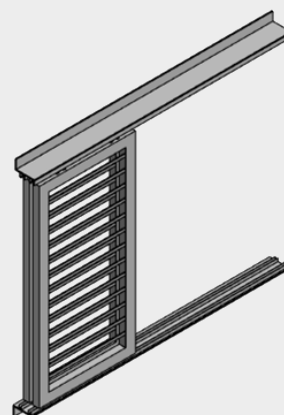


Motorised

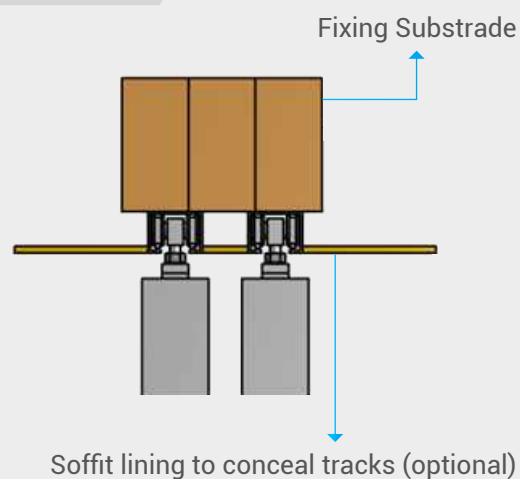
Sliding action motorised. Able to be operated via home automation or with a switch provided by your electrician. Contact Aurae to discuss requirements.

Fixing details

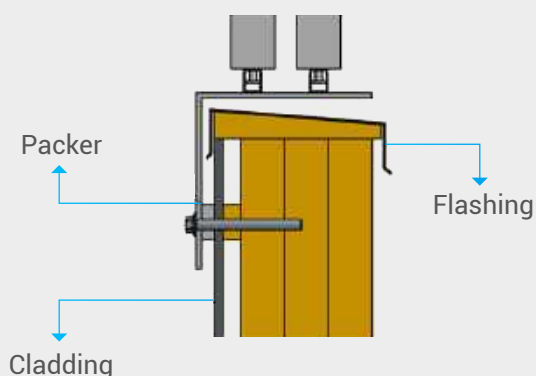
Side fix



Direct fix



Waterproofed deck

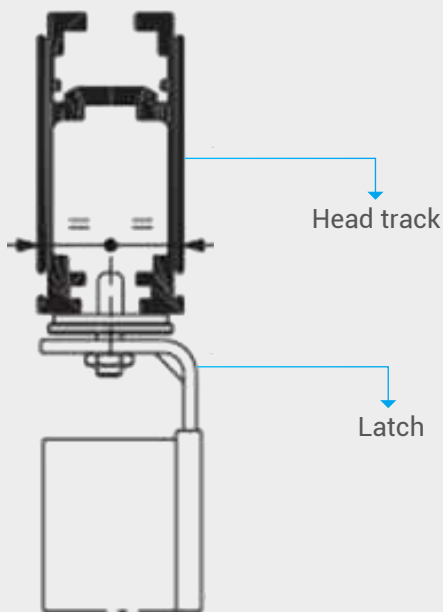


Latches

Spring bolt



Friction bolt



Shutter bolt for locking the screen in any position on the track. Specific head track details are required for this latch, contact the design team to discuss

Shutter bolt



Shutter bolt for locking the shutter at pre-set locations. Bolt can be concealed inside the shutter frame.

Other details

Finishes available

1. Powdercoat
2. Anodise
3. Woodgrain powdercoat

Building code

All designs are fully engineered and compliant with the NZBC. PS1's are available on request (1).

1. *Terms and conditions apply, please contact the design team if you require a PS1.*

