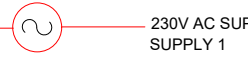
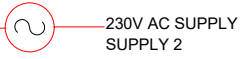


OUTSIDE COMPONENTS  
SUPPLY 1

OUTSIDE COMPONENTS  
SUPPLY 2

INSIDE COMPONENTS

INSIDE COMPONENTS



WIRELESS RAIN SENSOR

WIRELESS RAIN SENSOR

TRANSMITTER

TRANSMITTER

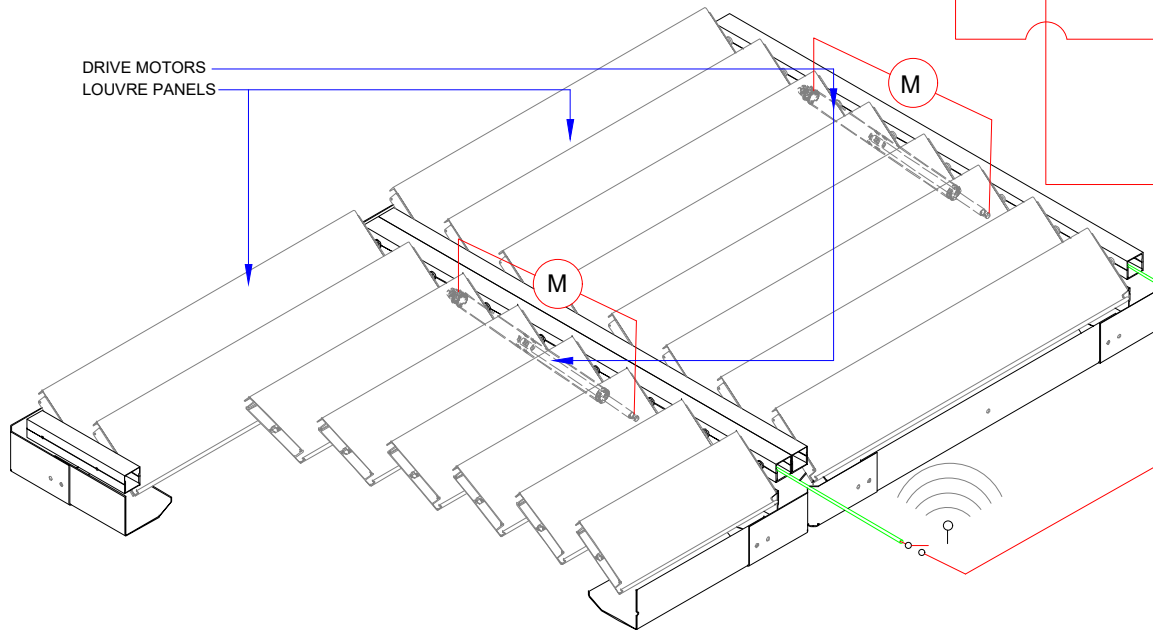
WIRELESS REMOTE CONTROL

WIRELESS REMOTE CONTROL

WIRELESS WALL SWITCH

WIRELESS WALL SWITCH

DRIVE MOTORS  
LOUVRE PANELS



- \* WIRING/CONTROL DIAGRAM
- \* CABLE LOCATION



ADDRESS :  
4 BEATRICE TINSLEY CRESCENT, ROSEDALE AUCKLAND NZ  
PHONE : +64 92188690  
EMAIL : info@aurae.co.nz  
WEBSITE : www.aurae.co.nz

PROJECT TITLE :  
DATE : 16/09/21  
SCALE : NTS  
LOCATION : N/A  
JOB NUMBER : N/A

LOUVRE ROOF CABLE LOCATION / WIRING DIAGRAM

OWNER :  
CONFORME :  
DESIGN MANAGER

Drawings and specifications duly signed, stamped or sealed, as instruments of service, are the intellectual property and documents of the design institution, which is the design to which they are made in accordance with the contract. It is not to be reproduced or used in any form without the express written consent of the design institution. It is not to be used for any other project or to duplicate or to make copies of said documents for use in the execution of any other project or to be used in any other way without the express written consent of the design institution.

SHEET CONTENTS :

LOUVRE ROOF CABLE LOCATION / WIRING DIAGRAM  
FIXING DETAILS

NOTES : VERIFY SITE MEASUREMENT BEFORE COMMENCING WORK (A4 PAPER SIZE)

SHEET NO.:

1

1 1