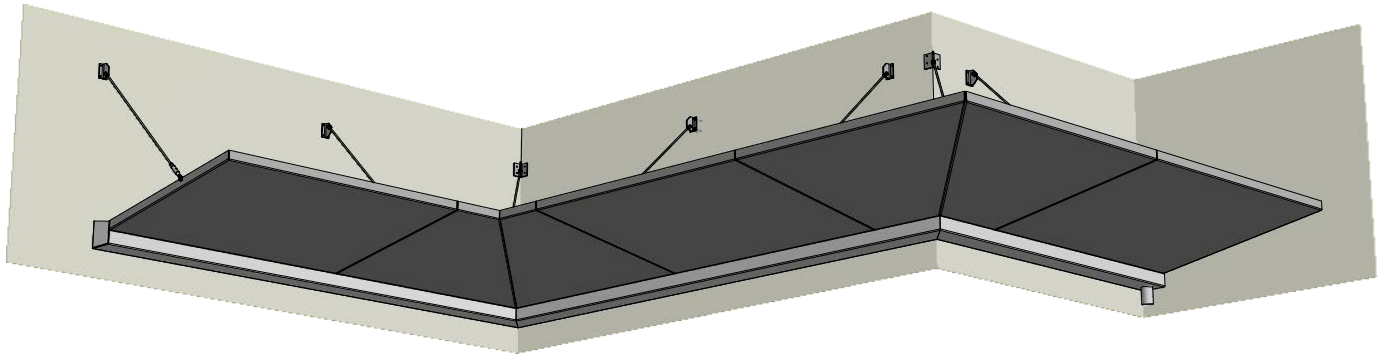


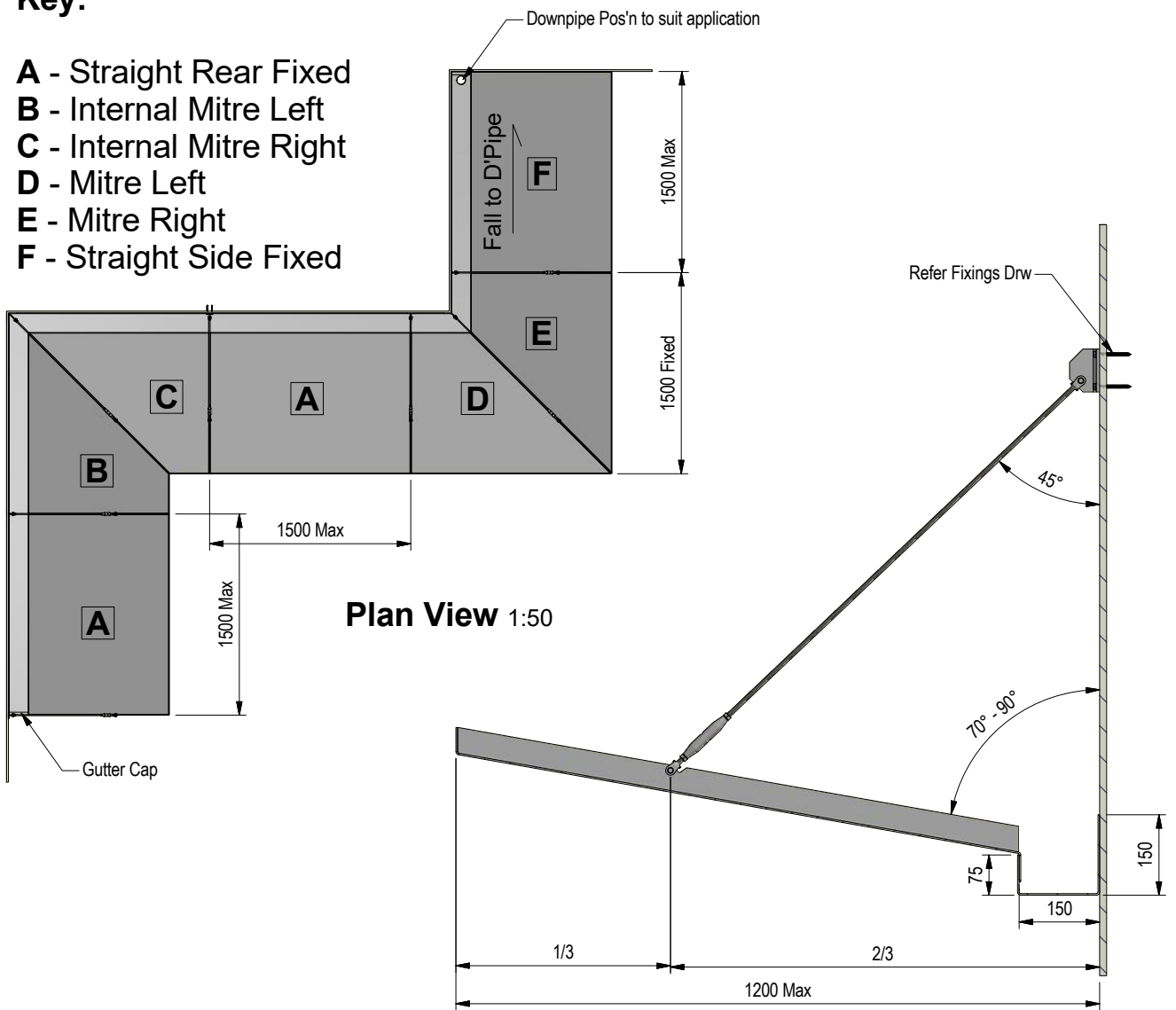
AURAE TECHNICAL DATA SHEET



Perspective View N.T.S
(From Underside)

Key:

- A** - Straight Rear Fixed
- B** - Internal Mitre Left
- C** - Internal Mitre Right
- D** - Mitre Left
- E** - Mitre Right
- F** - Straight Side Fixed



Plan View 1:50

Typical Section 1:12.5

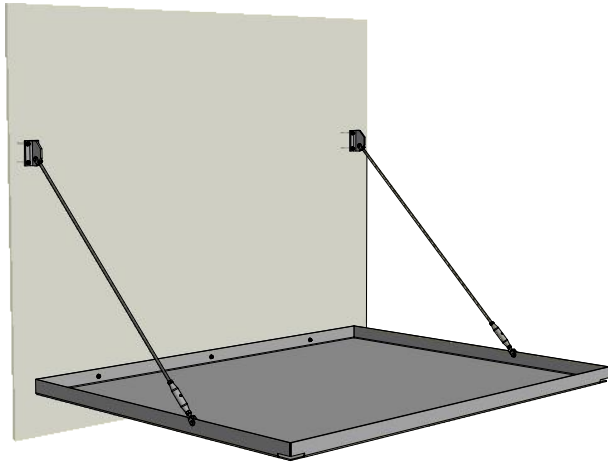
Horizon Modular Canopy
Guttered Type



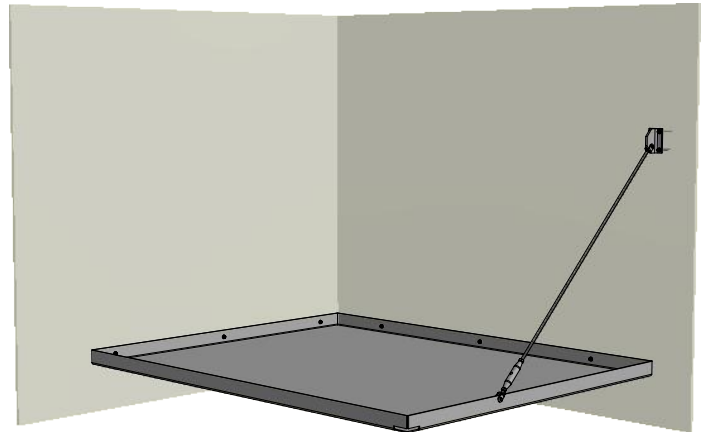
© 2018 All rights reserved
Aurae Ltd
Ph: +64 9 218 8690
E: sales@aurae.co.nz
www.aurae.co.nz

Scale: N.T.S
Date: 17.05.17

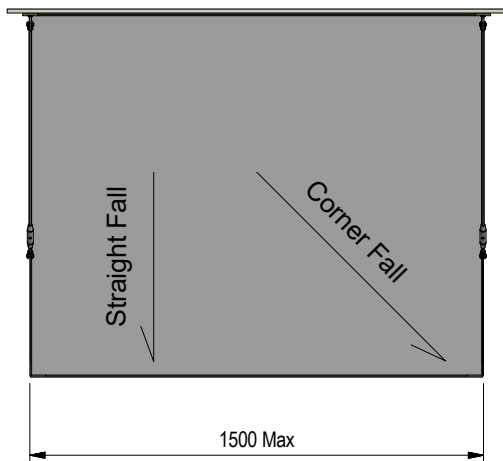
AURAE TECHNICAL DATA SHEET



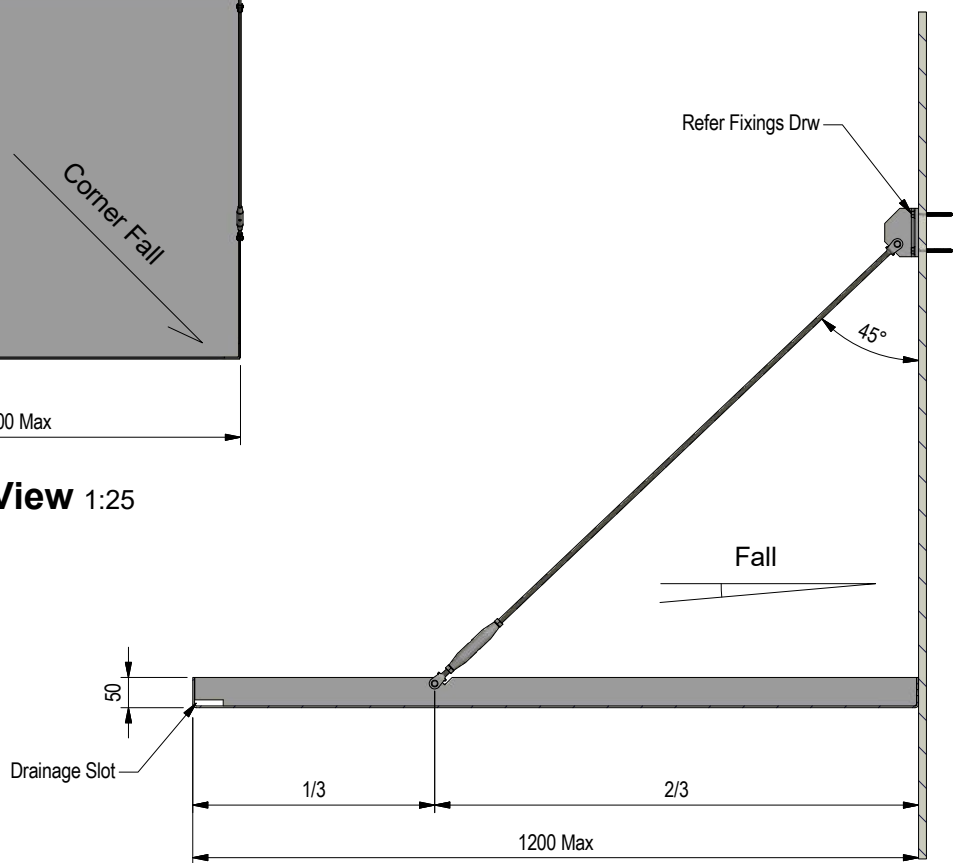
Straight Canopy N.T.S



Corner Canopy N.T.S



Plan View 1:25



Typical Section 1:12.5

Horizon Modular Canopy
Tray Type

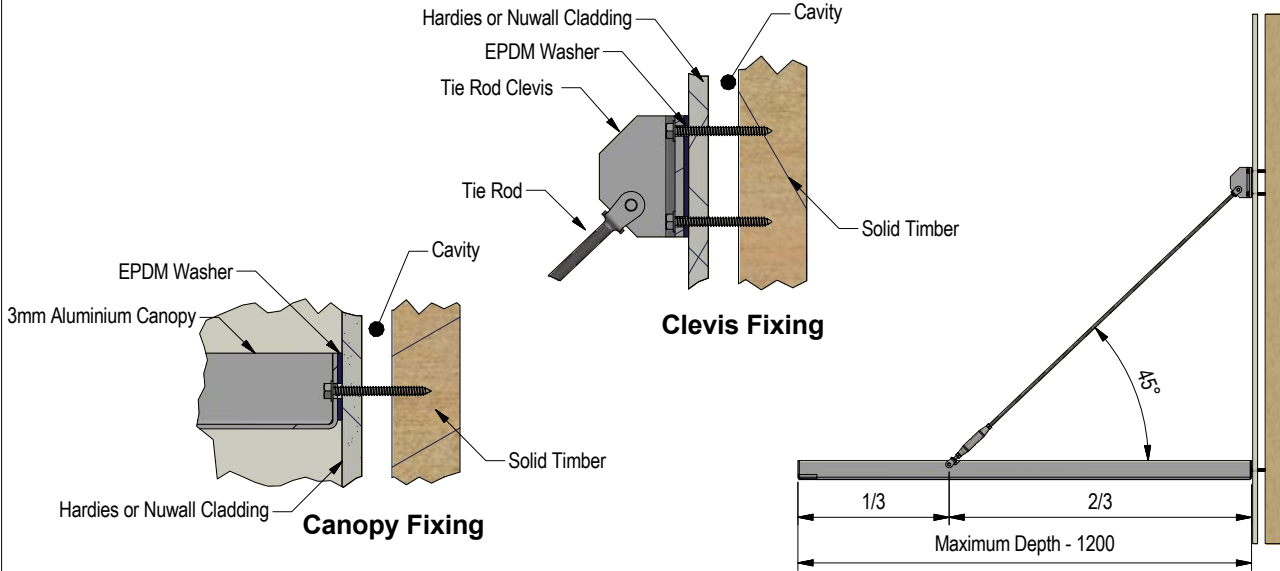


© 2018 All rights reserved
Auræ Ltd
Ph: +64 9 218 8690
E: sales@auræ.co.nz
www.auræ.co.nz

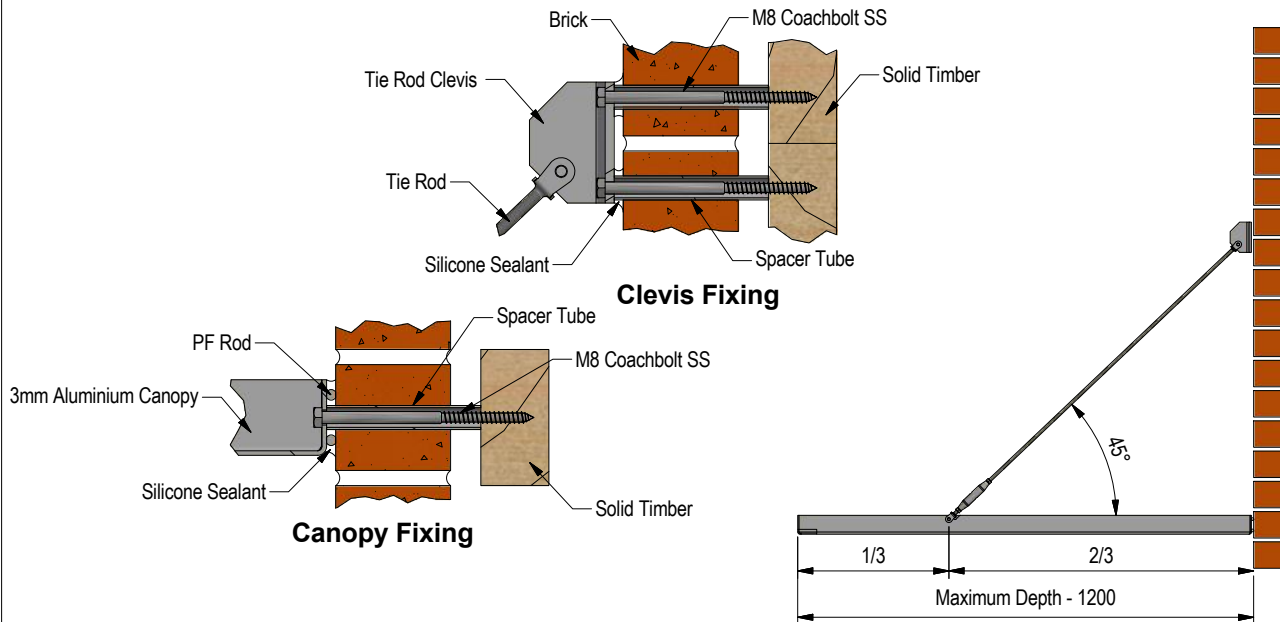
Scale: N.T.S
Date: 17.05.17

Horizon Data Sheet - Pg2

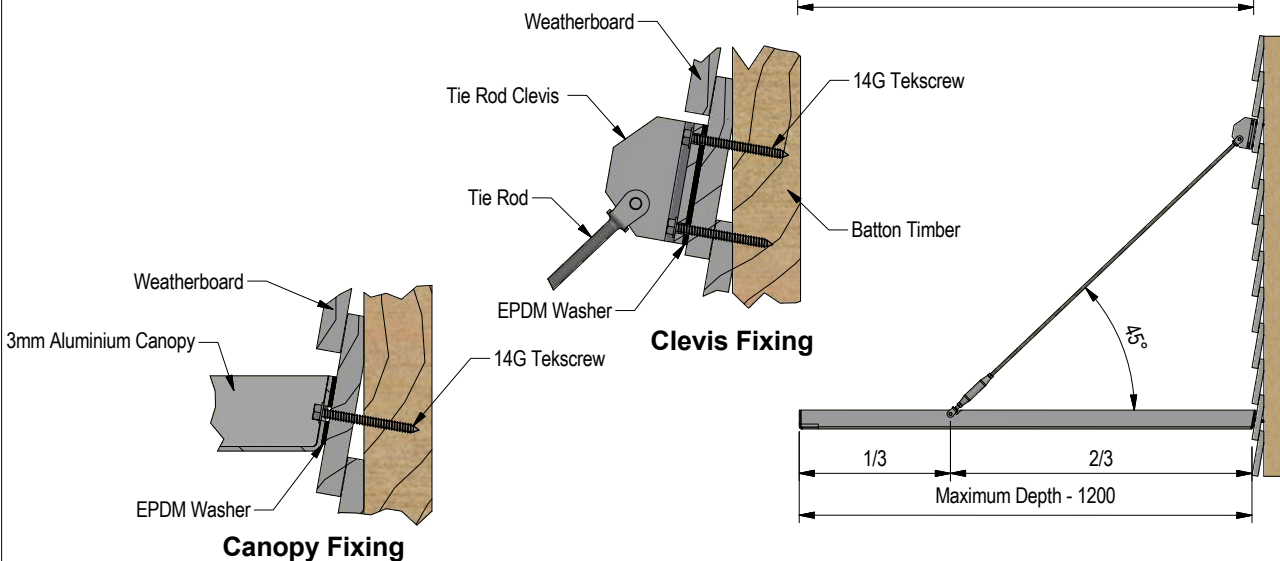
AURAE TECHNICAL DATA SHEET



Hardies Fixing Details



Brick Fixing Details



Weatherboard Fixing Details

Horizon Modular Canopy
Standard Fixing Details



© 2018 All rights reserved
Aurae Ltd
Ph: +64 9 218 8690
E: sales@aurae.co.nz
www.aurae.co.nz

Scale: N.T.S
Date: 17.05.17

Horizon Data Sheet - Pg3