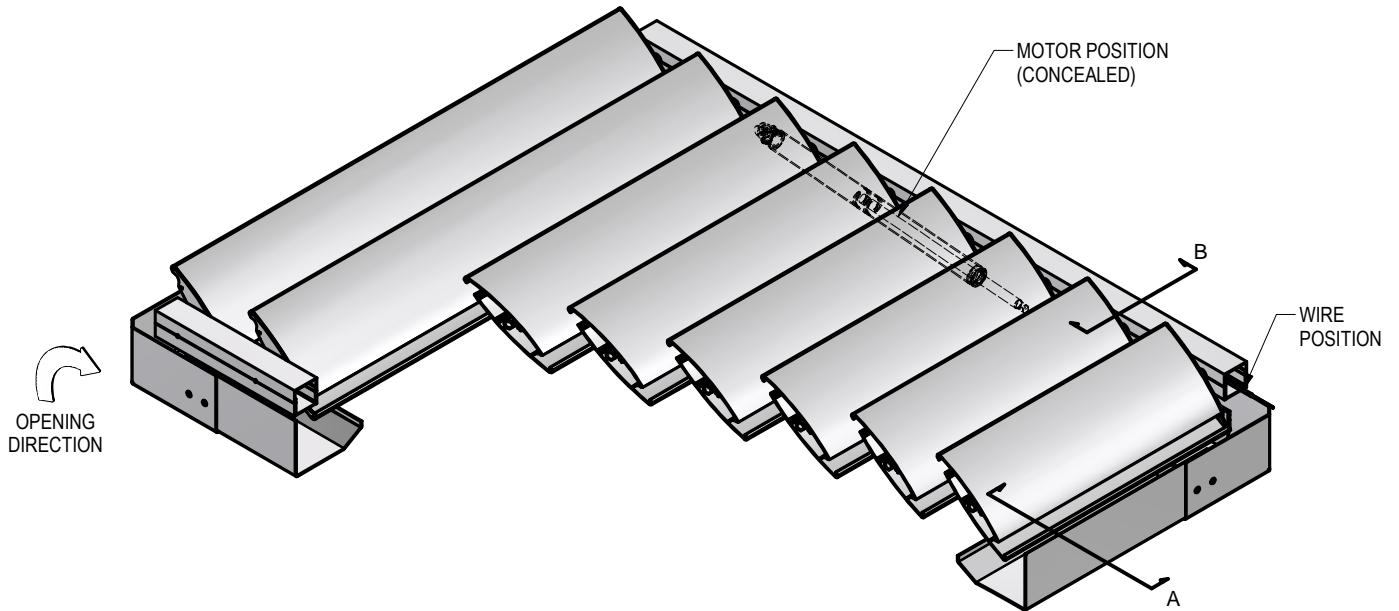
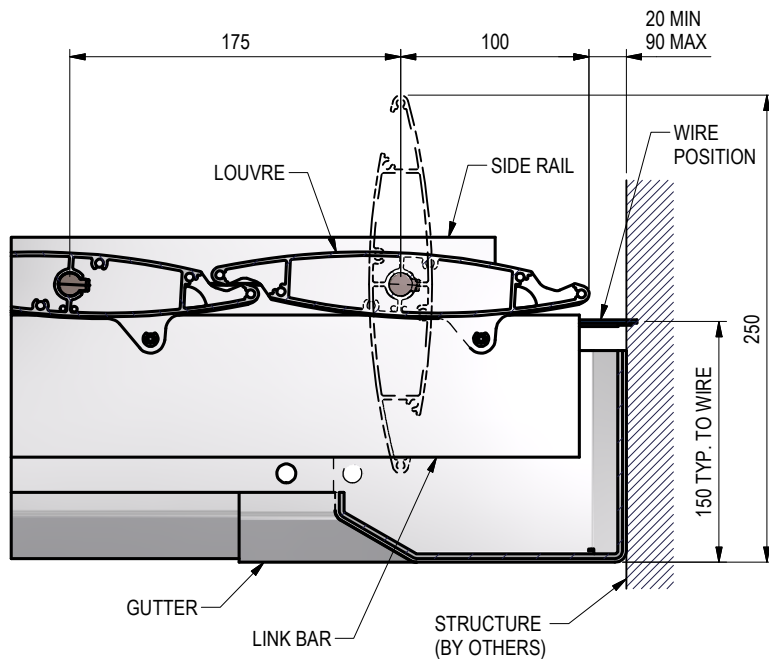


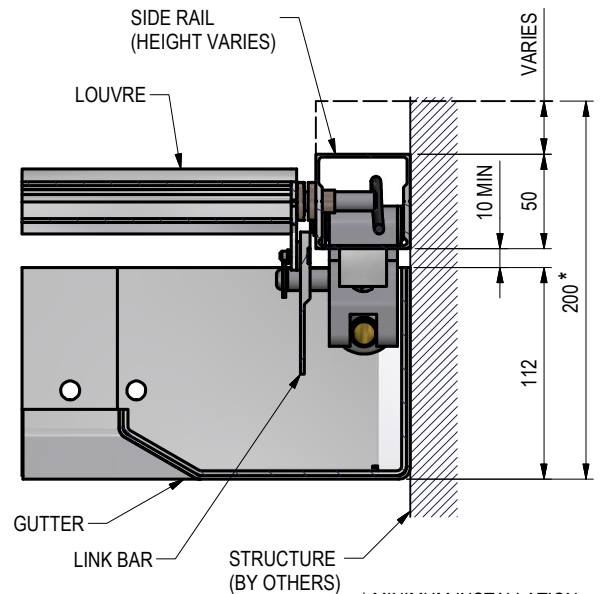
AU-OR-LVR - PROFILE



LOUVRE PANEL



DETAIL A



DETAIL B

* MINIMUM INSTALLATION DEPTH, ALLOW 200mm TO ACCOMMODATE FALLS

**AURORA™ OPENING ROOF
Technical Data Sheet**

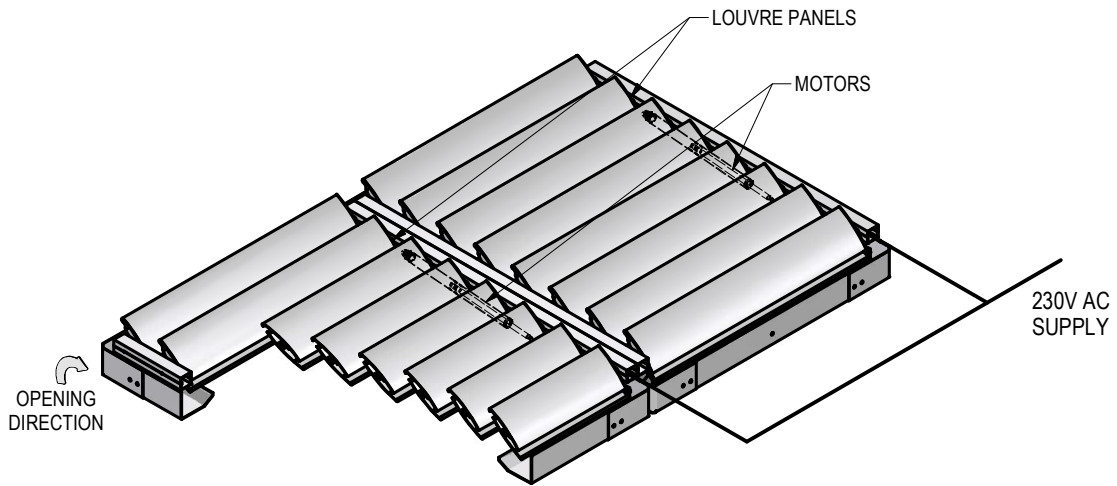


© 2018 All rights reserved
Aurae Ltd
Ph: +64 9 218 8690
E: sales@aurae.co.nz
www.aurae.co.nz

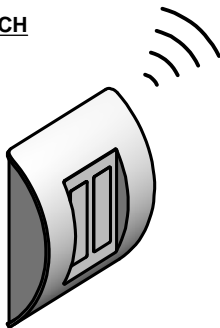
Scale: N.T.S.
Date: 24/04/2012
Page: 1 of 2

AU-OR-LVR Version 1

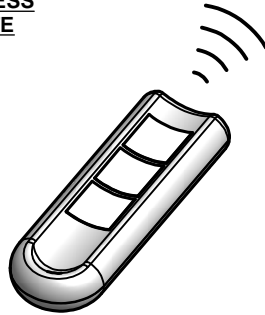
WIRING/CONTROL DIAGRAM



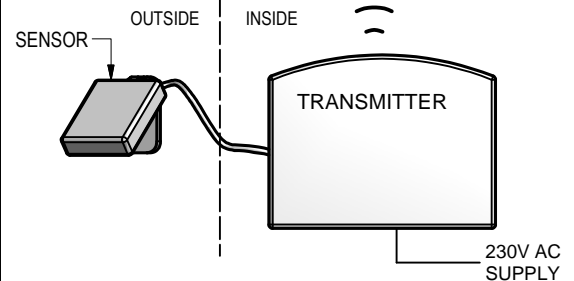
WIRELESS WALL SWITCH



WIRELESS REMOTE



WIRELESS RAIN SENSOR



Deflections/Spans for AU-OR-LVR

Wind Zone	Self Weight	Low	Medium	High	Very High	Extra High
m/s KPa	0.0 m/s 0.0 KPa	32 m/s 0.88 KPa	37 m/s 1.18 KPa	44 m/s 1.68 KPa	50 m/s 2.17 KPa	55 m/s 2.63 KPa
Service load kn/m	0.027	0.130	0.180	0.270	0.360	0.450
Span m	Numbers in cells are deflections in mm					
3.1	3.72	17.89	24.77	37.15	49.54	61.92
3.2	4.22	20.31	28.12	42.18	56.25	70.31
3.3	4.77	22.97	31.81	47.71	63.61	79.52
3.4	5.38	25.88	35.84	53.76	71.68	89.60
3.5	6.04	29.07	40.25	60.37	80.49	100.62
3.6	6.76	32.53	45.05	67.57	90.09	112.62
KEY:	Light Grey shading = Acceptable span		Dark Grey shading = Over recommended span		Black shading = Unsafe	

*Over Recommended Max Span' is the point at which Auraa considers the deflection as 'unsightly'

*Deflection values assume operable louvres in the closed position (therefore no porosity factor)

*Deflection values assume simple support and do not take into account the integrity of any fixing.

*Deflection values assume a horizontal louvre (not tilted)

*Please contact Auraa if your scenario is : Above 10m height, or is in a specific design location

**AURORA™ OPENING ROOF
Technical Data Sheet**



© 2018 All rights reserved
Auraa Ltd
Ph: +64 9 218 8690
E: sales@aurae.co.nz
www.aurae.co.nz

Scale: N.T.S.
Date: 24/04/2012
Page: 2 of 2

AU-OR-LVR Version 1