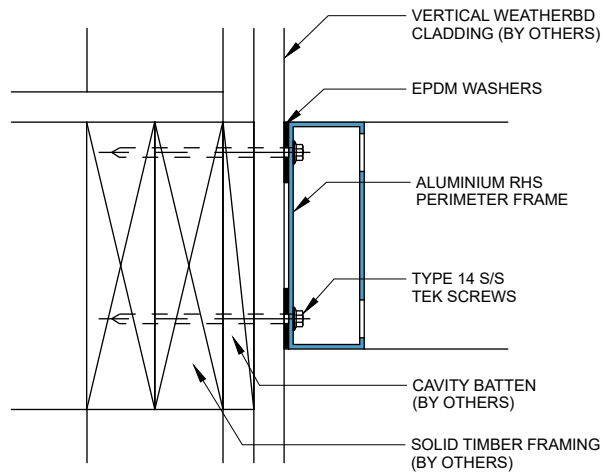


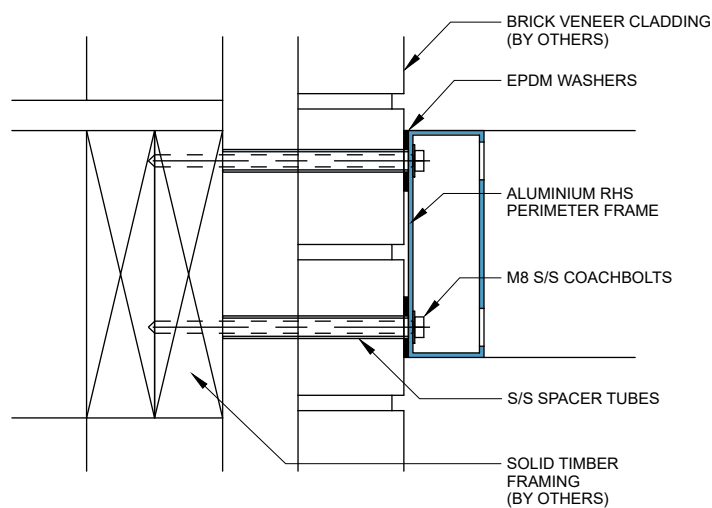
DETAIL A

WALL FIXING TO BEVELBACK WEATHERBOARD



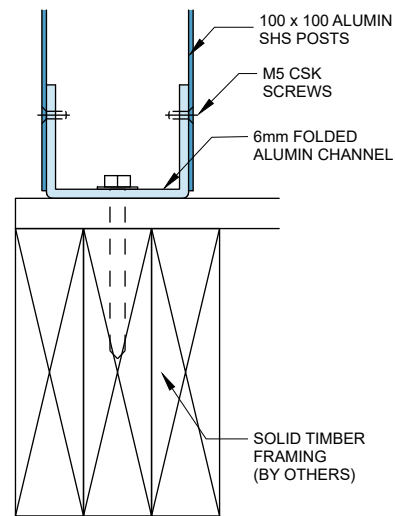
DETAIL A

WALL FIXING TO VERTICAL WEATHERBOARD



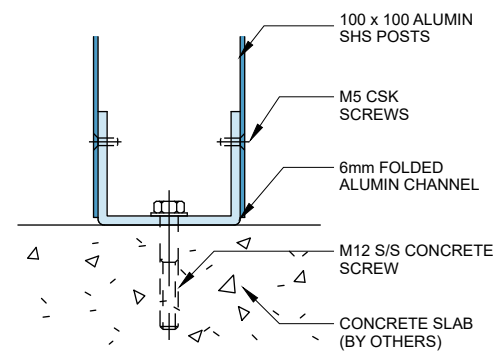
DETAIL A

WALL FIXING TO BRICK VENEER



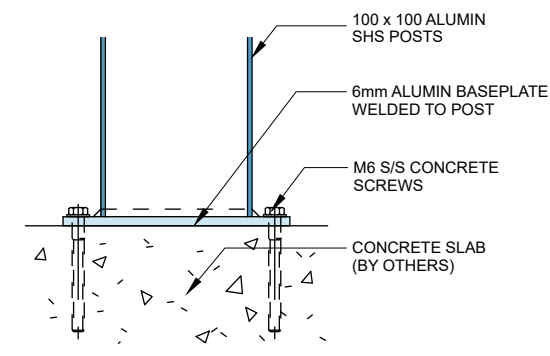
DETAIL B

WALL FIXING TO TIMBER DECK



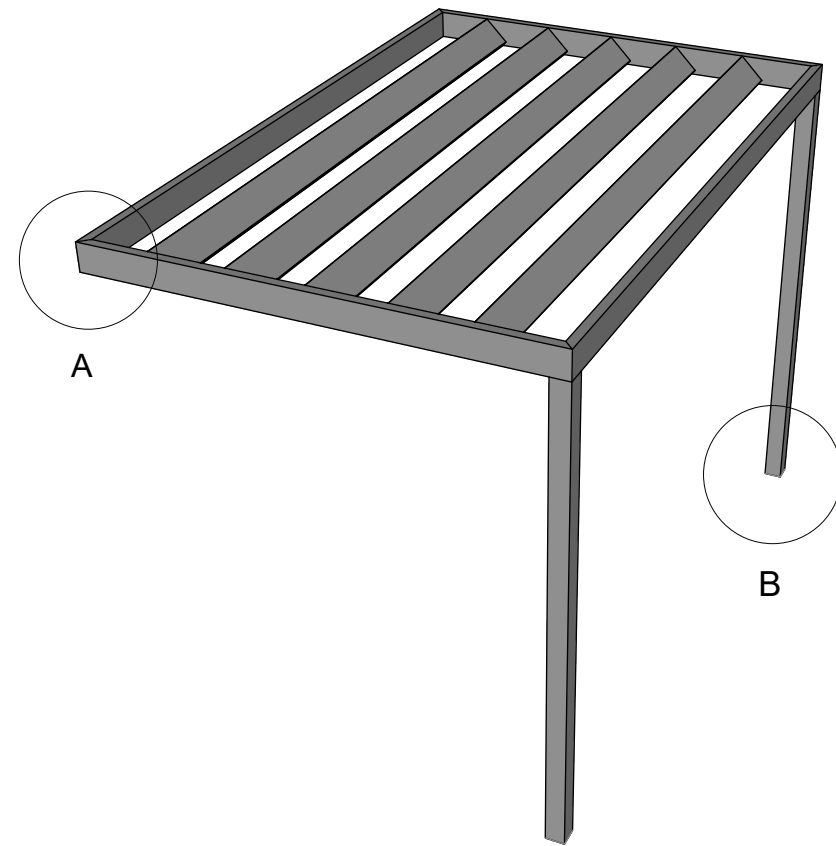
DETAIL B

POST FIXING TO CONCRETE SLAB



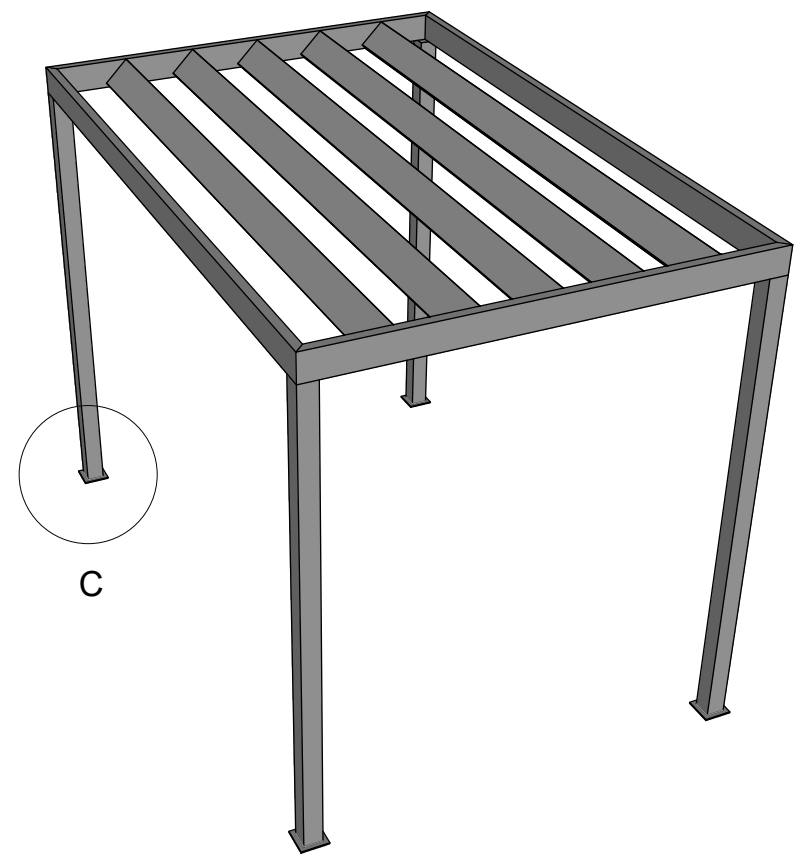
DETAIL C

POST FIXING TO CONCRETE SLAB



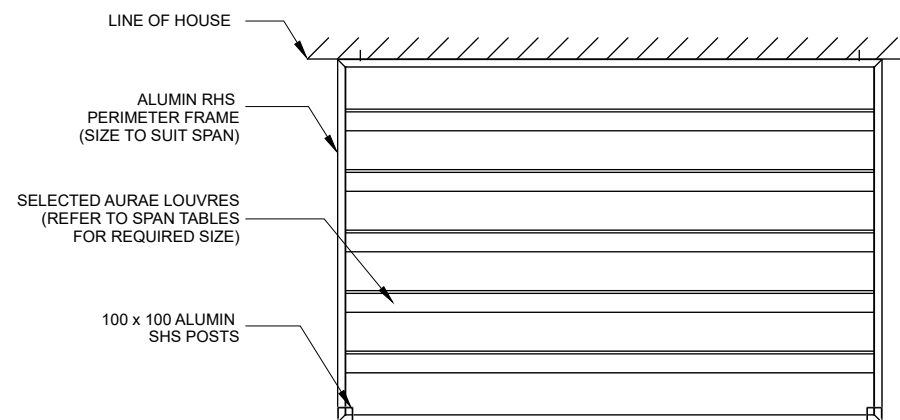
3D VIEW

PERGOLA ATTACHED TO HOUSE

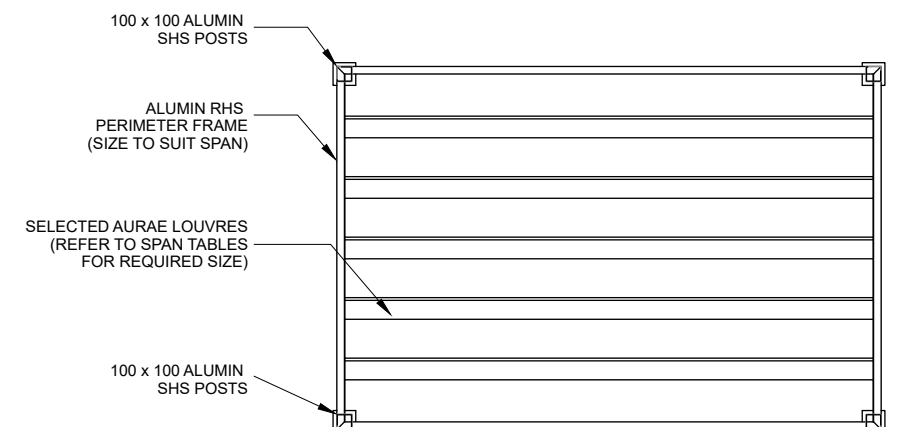


3D VIEW

FREESTANDING PERGOLA



PERGOLA PLAN



PERGOLA PLAN



FIXED LOUVER PERGOLAS

Scale : 1:50, 1:5 @ A3 Date : 16/08/2021

AURAE LTD © 2021 All rights reserved